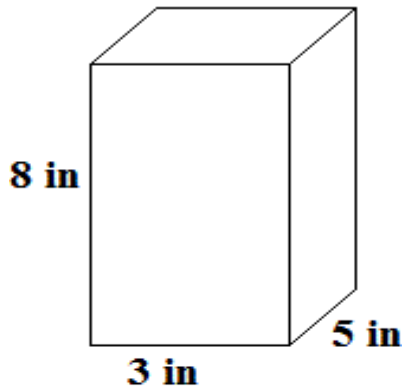


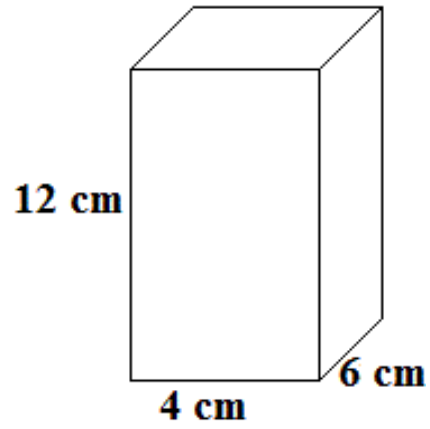
# Volume of Rectangular Prisms

worksheet 2

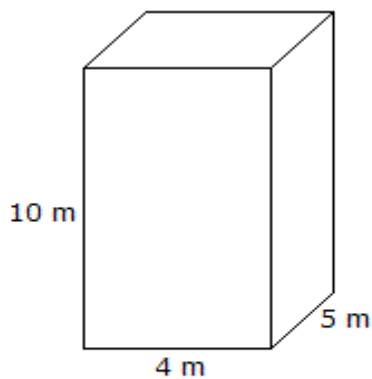
Find the volume of each rectangular prism.



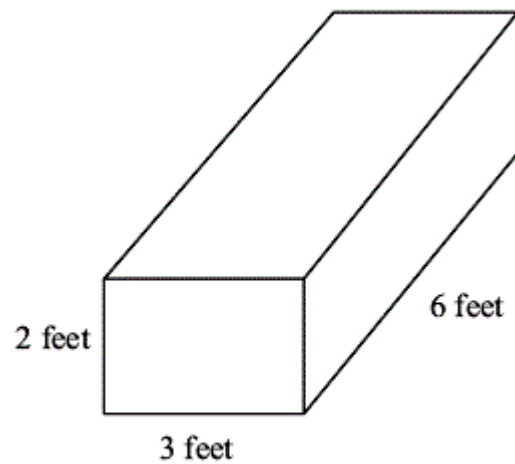
V \_\_\_\_\_



V \_\_\_\_\_



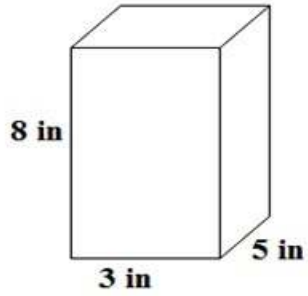
V \_\_\_\_\_



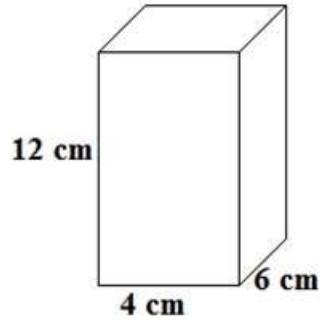
V \_\_\_\_\_

# Volume of Rectangular Prisms

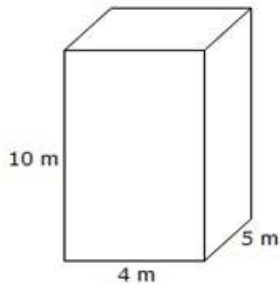
worksheet 2 answers



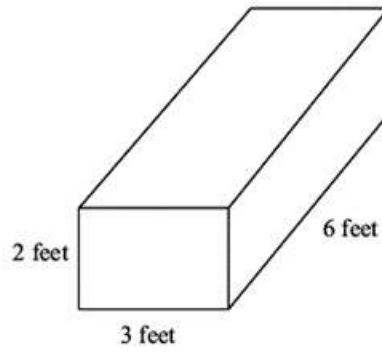
v 120 cm<sup>3</sup>



v 288 cm<sup>3</sup>



v 200 cm<sup>3</sup>



v 36 cm<sup>3</sup>